



Filter Bag Questionnaire

Customer Name:			
Address:			
Phone:		Quote Required By:	

Collector Information

Collector Manufacturer:				
Cleaning Method:	Shake <input type="checkbox"/>	Pulse <input type="checkbox"/>	Reverse Air <input type="checkbox"/>	Other <input type="checkbox"/>
Total Number Of Bags:		Cage Supported Bags:	Yes <input type="checkbox"/>	No <input type="checkbox"/>
Dust Being Filtered:				
Operating Temperature:				

Bag Material Specs

Fiber (Polyester, Nomex, Polypropylene, Acrylic, etc.):				
Weight (oz/sqyd):		CFM or Porosity:		
Finish:	Singed <input type="checkbox"/>	Untreated <input type="checkbox"/>	Glazed <input type="checkbox"/>	Other <input type="checkbox"/>
Weave:	Needle Felt <input type="checkbox"/>	Woven Twill <input type="checkbox"/>		
Thread Count If Woven Material:				

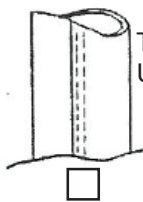
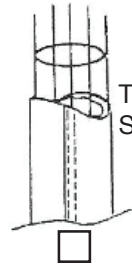
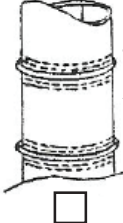
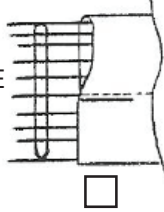
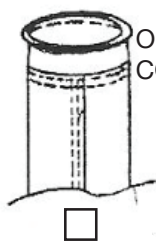
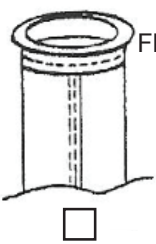

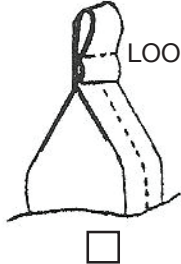
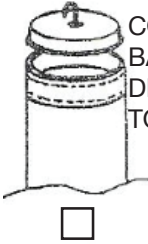
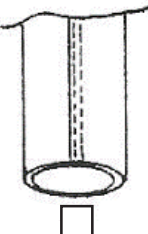
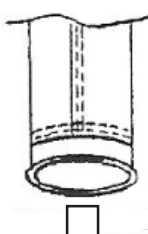
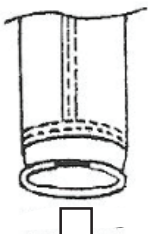
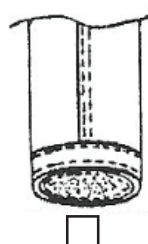
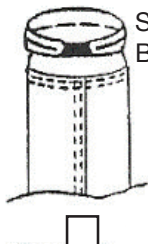
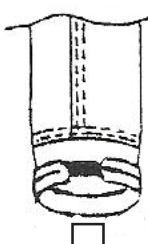
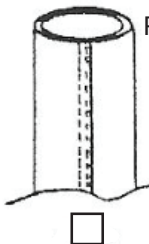
Bag Design

Dimensions:	Length:	Diameter:		
Ground Wire: <input type="checkbox"/>	Anti-Collapse Rings: <input type="checkbox"/>	Separate Cuff or Loop: <input type="checkbox"/>		
Top Construction:	Open <input type="checkbox"/>	Strap <input type="checkbox"/>	Flange (collar) <input type="checkbox"/>	Flange w/ring <input type="checkbox"/>
	Loop <input type="checkbox"/>	V-Groove Snap Band <input type="checkbox"/>	Super Seal Snap Band <input type="checkbox"/>	
Base or Bottom Construction:	Disc <input type="checkbox"/>	Roped Cuff <input type="checkbox"/>	Snap Ring-Plain <input type="checkbox"/>	



Filter Bag Questionnaire

Mark According to your Bag Specifications

 <p>TUBULAR UNSUPPORTED</p> <input type="checkbox"/>	 <p>TUBULAR SUPPORTED</p> <input type="checkbox"/>	 <p>TUBULAR ANTI-COLLAPSE RINGS</p> <input type="checkbox"/>	 <p>ENVELOPE</p> <input type="checkbox"/>
 <p>OPEN CORDED</p> <input type="checkbox"/>	 <p>FLANGED</p> <input type="checkbox"/>	 <p>STRAP</p> <input type="checkbox"/>	 <p>LOOP</p> <input type="checkbox"/>
 <p>COMPRESSION BAND WITH DISPOSABLE TOP</p> <input type="checkbox"/>	 <p>PLAIN</p> <input type="checkbox"/>	 <p>OPEN CORDED</p> <input type="checkbox"/>	 <p>SNAP RING</p> <input type="checkbox"/>
 <p>SEWN IN DISC</p> <input type="checkbox"/>	 <p>SNAP BAND</p> <input type="checkbox"/>	 <p>SNAP BAND</p> <input type="checkbox"/>	 <p>PLAIN</p> <input type="checkbox"/>